

F/F Long Handle Gas Ball Valves

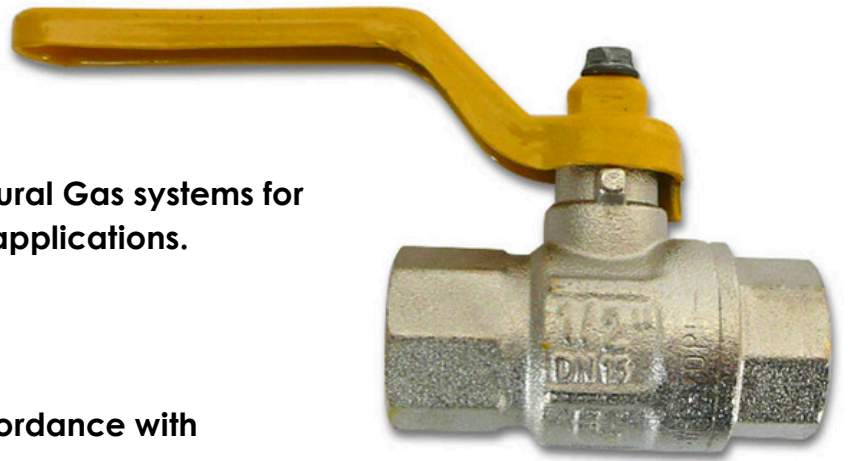
BV70

Application:

Full flow Gas ball valve for LPG and Natural Gas systems for residential, commercial and industrial applications.

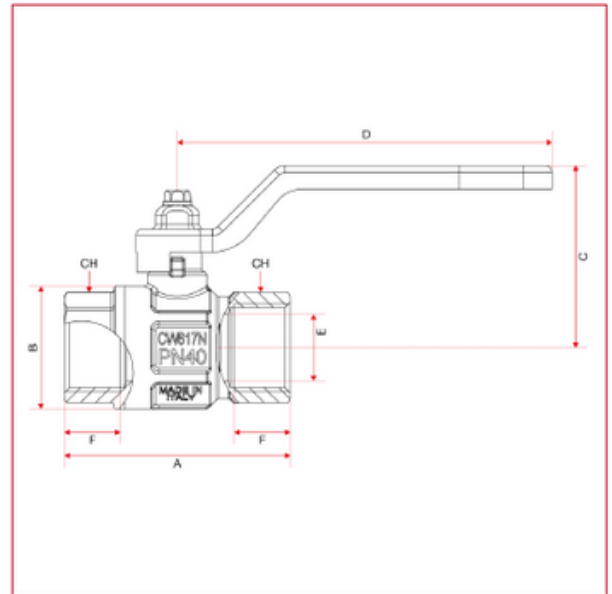
Specifications:

- AGA approved
- Designed and Manufactured in accordance with AS 4617-2018
- Working temperature Range: -20°C to 60°C
- Maximum working pressure: 2100 kPa
- Suitable for: LPG and Natural Gas



Available in the following sizes:

- 1/4" (BV7004)
- 3/8" (BV7006)
- 1/2" (BV7012)
- 3/4" (BV7020)
- 1" (BV7025)
- 1 1/4" (BV7032)
- 1 1/2" (BV7038)
- 2" (BV7050)



	1/4"	3/8"	1/2"	3/4"	1"	1 1/4"	1 1/2"	2"
DN	8	10	15	20	25	32	40	50
A	49,5	52,4	61	68	85	99,5	109	130
B	23,5	24	30,5	37	45,5	58	71	85
C	37,3	37,3	48,8	54,8	56,8	75	90,3	97,3
D	80	80	88,5	113	113	138	157,8	157,8
E	10	10	15	20	25	32	40	50
F	11	11,4	15	16,3	19,1	21,4	21,4	25,7
CH	18	21	25	31	38	47	54	66

*Installation must comply with AS/NZS 5601



Where would we be without Gas?